

ACR™ ROBOT 557 H



 **CONJET**

ACR™ ROBOT 557 H

Optimized for horizontal surfaces

The track-driven Robot 557H is the ideal choice for parking garages, bridges and other horizontal surfaces. Together with an adjustable chassis, the robot is a highly efficient, versatile and compact solution with incredible manoeuvrability in confined spaces.

The Robot 557H has been designed with the ability to extend the tracks, as well as sliding the main body, for easy positioning of the cut.

The robot, as a part of the 7-series, features the ONE control system making it as easy as any other robot in the same series.

FEATURES

- Most efficient robot for horizontal work
- Fully automated via the Conjet ONE control system
- Tool-kits available ensures multipurpose use
- Diesel or electric power
- Easy access to the engine and hydraulics for daily maintenance
- Prepared for Conjet Connect



OPTIMAL FOR

- Parking garage / decks
- Highways
- Bridges
- Quays and docks
- Low height limits



Mirrored color display on both machine and remote control for easy configuration and monitoring.



ACR™ ROBOT 557 H

TECHNICAL DATA

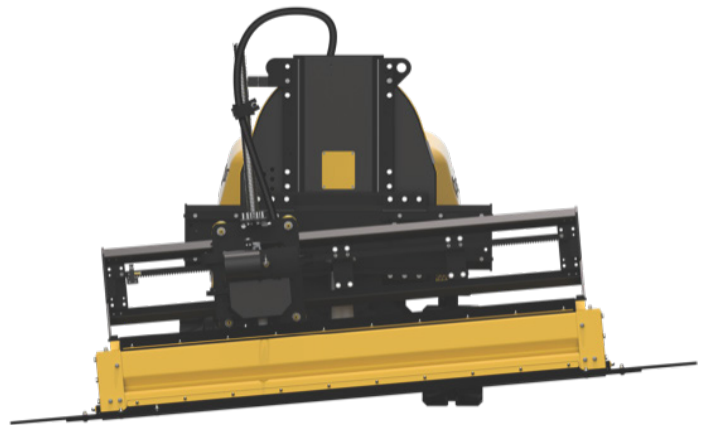
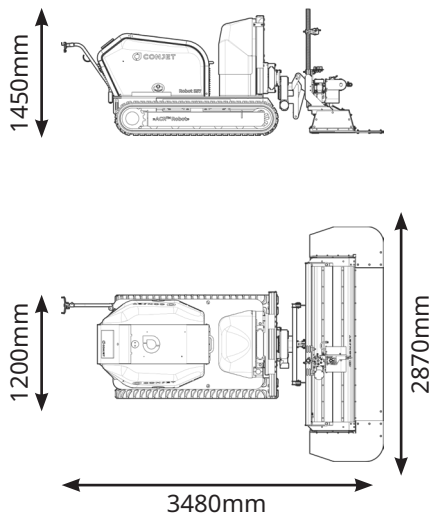
Weight	2 300kg (5 070lb)
Length	3 480mm (11ft 5in)
Width / with extended tracks	1 200mm – 1 900mm (3ft 11in/6ft 3in)
Height, minimum	1 450mm (4ft 9in)
Cutting width / w. extensions	2 100mm (6ft 11in) / 3000mm (10ft)
Maximum reaction force	3 000N*
Power supply	Diesel engine, 18,7 kW Electric, 3x380–480VAC, 32A or 3x200VAC, 63A / 50–60Hz

CE certified

*see Operators Manual for detailed instructions








SIZE



CONFIGURATIONS

TOOLS

-  Protection extension
-  Feed beam extension
-  Rotor
-  Ship cleaning / Surface preparation
-  Rotating Head

Bridges. Parking Decks. Dams. Tunnels. Piers. If a concrete structure needs repair, Conjet has the optimal concrete removal solution for the task.

For over 35 years, we have led the development of robotic hydrodemolition technology – a technology with a proven track record as the most sustainable and effective method for concrete removal and other types of surface preparation.

We provide world class training and aftersales support for our partners and customers, Team Conjet, to ensure that projects are successfully performed in a safe, precise and efficient manner.

At Conjet, our collective knowledge and expertise has been built into our Automated Concrete Removal robots. Safe for the structure, safe for the operator and safe for the environment.

We call it ACR™



Conjet AB

Albybergsringen 118
SE-137 69 Österhaninge
SWEDEN
+46 (0)8 55 65 22 40

Conjet Inc.

3400 Int'l Airport Dr., Ste 100
Charlotte, NC 28208
USA



conjet.com