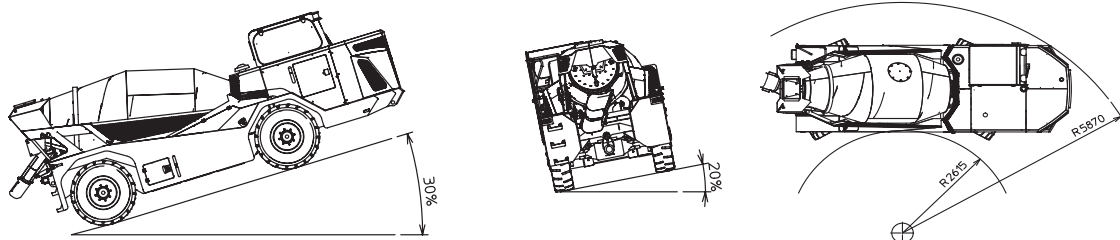
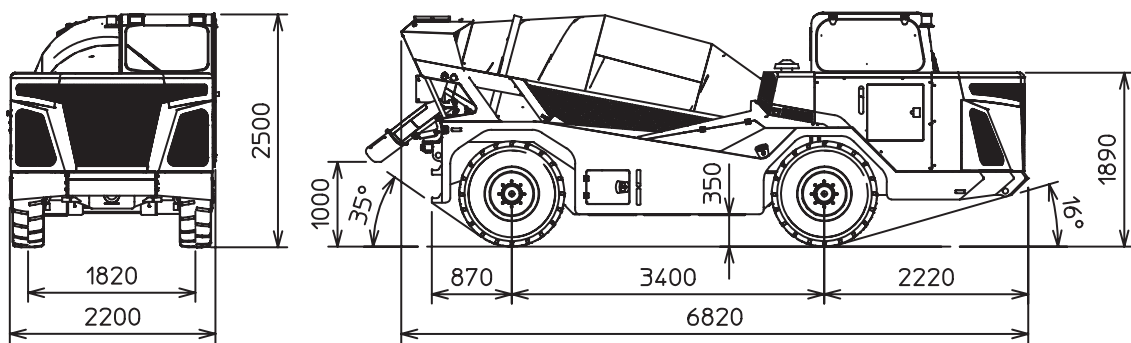


COGUARO 4



Dimensions and Performances





COGUARO 4

Dotazioni di serie

Diesel engine

- STAGE III-A
- STAGE IV- Final
- STAGE V

Driving cab

- ROPS-FOPS certification
- closed type
- rear view camera

Service brakes

- multi-disc type, in oil bath on both axles
- hydraulic, with independent circuits
- internal SAHR discs

Parking brake

- negative
- hydraulic operation
- on both axles

Electrical system

- 24 V
- battery 2 x 120 Ah
- alternator 80 A
- front lights 2 x 55 W
- rear lights 2 LED

Washing system

- high pressure water pump, 50 l/min – 50 bars
- hydraulic drive
- nozzle and 10 m of pipe
- water tank , 220 l

Drum

- anti-spillage rear hatch
- two man holes
- water meter
- antirebound device
- locking system
- two rollers diam. 250 mm
- CSD (Constant Speed Drive) drum functionality during the road transfer and operations

Main options

- Anti-particulate filter (FAP)
- Cold and warm air-conditioning
- Cold or hot climate oil
- Low flammable oil
- ANSUL fire suppression system on Diesel engine



Drum Technical Data

Nominal capacity	m ³	4
Geometric volume	m ³	4,8
Filling ratio	%	0,83
Water line	L	4000
Rotation speed	rpm	17
Diameter	mm	1750
Rollers	N°	2

Truck Chassis Technical Data

Installed power	kW	121
Turning circle	m	2,615
Wheelbase	m	3,4
Coupling angle		16°
Outlet angle		35°
Truck tyres		12.0 R20
Net Weight (dry)	kg	10.000
Max. Weight	kg	21.000
Max speed without load	km/h	25
Max speed at full load	km/h	15
Max speed without load in ascent, 30%	km/h	15
Max speed at full load in ascent, 30%	km/h	5

Technical data and characteristics subject to modifications without notice