

9500 TRIMMER/PLACER



GOMACO

The Worldwide Leader in Concrete Paving Technology

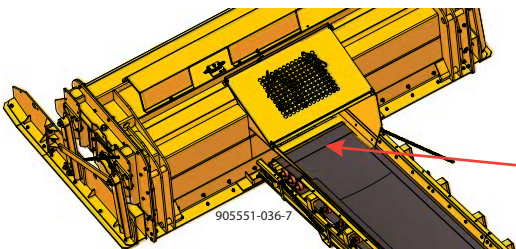
Rideability Starts Here... With The World's

The Advantage of GOMACO's Unique Front-Mounted, Two-Track Design

- **More Power and Minimum Side Clearance...** Our state-of-the-art, hydrostatic, direct drive motor in the trimmerhead provides ample power for trimming capability and is mounted internally to allow minimal side-clearance.
- **Does not Leave the End of the Pass Untrimmed...** Only the front-mounted trimmer allows for trimming to the end of each pass or within inches of front obstacles.
- **Low PSI...** The large track surface contact area and the two-track design provide a high tractive effort and low ground pressure on the trimmed grade.
- **Proportional Hydraulic System...** Proportional valves are used in the conveyor lift and swing circuits, and the grade control circuit to provide fast, smooth responsive control.
- **G+® Controlled Travel...** Smooth travel for trimming accuracy and job-site mobility.
- **Asset Utilization...** The versatility of the 9500 comes directly from the front-mounted design. This allows changing the same machine from a grade trimmer to a shoulder trimmer or to a concrete placer.
- **Less Maintenance Time...** Easy access to the front-mounted trimmer allows quick inspection of the trimmerhead or replacement of teeth.
- **Automatic Rear Steer...** The 9500 features rear steer to back up on line with stringline or other guidance.
- **Cruise Control To Maintain Constant, Maximum Production...** The exclusive G+ control system on the 9500 has the GOMACO POS-A-TROL® feature for optimum performance and power to the trimmerhead. It will increase the operating speed to a predetermined level in relationship to the trimmer circuit pressure. The G+ control system automatically controls the travel speed through POS-A-TROL and takes the operator guesswork on "head pressure versus speed" out of the trimming operation.
- **Quick Transport Readiness...** The trimmerhead or concrete hopper is easily detached and the machine simply backs off. No additional equipment is needed at the location to remove them.
- **It Loads Itself...** Optional hydraulic front lifting arms load the trimmerhead onto the trailer, so additional heavy-lifting equipment is not needed at that location.
- **Maneuverability...** A 360-degree turn in the machine's own length is possible because of the two-track design. A wide turning radius is not required like three-track machines. Maneuverability is important in today's job-site conditions.
- **Visibility Means Safety...** The operator has a full view of the trimmerhead or concrete hopper because it is directly in front of the operator's platform, or the operator can move around the platform using the exclusive GOMACO remote.

Improved Conveyor System Provides More Power

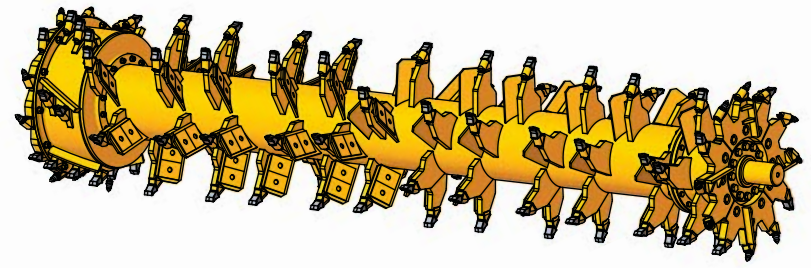
The conveyor system offers more throughput than ever before. The conveyor system is a closed-loop direct drive hydrostatic system. This system design provides more power to the belts.



The throat from the trimmerhead to the transfer conveyor has been enlarged to funnel the maximum amount of material possible to the belt system in a single rotation of the head.

GOMACO Trimmerhead Designed for Maximum Power and Performance

The standard 12.7 foot (3.87 m) 9500 trimmerhead has 107 teeth for maximum performance to profile the grade to specification.



Most Versatile Material Handling Machine



A GOMACO 9500 trimmer is equipped with a 14 foot (4.27 m) trimmerhead, G+ controls, and Leica Geosystems 3D machine guidance. The 9500 prepares the grade for 1000 feet (304.8 m) of airport runway and taxiway extensions.

G+® Controls – Designed For Trimming/Placing Accuracy

It is now the technology that pulls everything together... G+ is the center that Connects all of the resources.

Once you experience G+ controls, you won't be satisfied with anything else. It's a control system that is both easy to learn and easy to operate. G+ expresses itself in easy to understand international icons and full script explanations. It operates in all the major languages of the world and in the imperial or the metric system. It has a lightning-fast processing speed and features two-way communications between the accessories and G+. Its instant digital feedback combined with the tight closed-loop electronic and hydraulic control creates a G+ experience that is smooth, efficient, and accurate. There is nothing on the market that can compare, because G+ is a proprietary system that was designed by our in-house control experts incorporating what we have learned from decades of experience in the field, and from what we have learned from you, our customer.

- Machine Operation is Simple
- Machine Response is Fast
- Troubleshooting is Pinpointed, Quick, and Easy
- Fault History Available

The exclusive GOMACO G+ control system features self-diagnostics for grade and steering. It features new and easy-to-operate hardware with steering and travel dials. The elevation jog buttons, located to the left of the display screen, are used to manually change the elevation of the leg when the control loop is set to manual mode. Control dials are used for manual steering and travel. The G+ travel dial turns to adjust travel speed in one percent increments, and ramps up or down with smooth, precise speed control. The machine can be turned left or right with the G+ steering dial as it is moved in the manual travel mode.

A flat-panel 6.5 inch (165 mm) anti-glare display screen is provided with sensor-controlled backlight levels for superior visibility in all operating conditions. The screen is rugged and shock resistant in its construction to protect against dust, moisture, and rain. G+ provides a full color display on the control panel to illustrate the various aspects of the trimmer/placer operation. Newly designed icons and color graphics make it easy to understand and easy to identify the targeted functions. G+ controls feature a detailed fault history with the time stamp, date, and information to track when each fault occurred. GOMACO's G+ control system has been proven around the world.



FT-04104-D10

G+ connects with the Leica Geosystems 3D guidance for accurate stringless grade preparation on a GOMACO 9500 trimmer.



FT-11140-D2



Ground Level Remotes - Two remotes are located near the front of the 9500 at ground level.

The G+ MiniMote assists in connecting the trimmerhead or hopper, and loading the machine.

The new hopper remote is for concrete placing. The operator can use it to raise and lower the hopper, turn the vibrators on or off, operate the hitch lock, and turn the high pressure water on or off.

EG-021401-D13



Wiring Management - The 9500 has new wiring management, with a power distribution center. It features push button circuit breakers and LED indicator lights, and a master assembly with two controllers for increased speed and capacity.

Also new are two power connections located on the left side of the machine, one being 12V and the other is 24V for accessories.

EG-021402-D1



Individual Covers - The left side of the 9500 console is for the G+ electronics, and the right side is for the hydraulics. Both sides have their own sliding protective/locking cover.

EG-021402-D12



New Console - The 9500 has a newly designed G+ console. It has dual-locks, one on each of the two sliding covers, and one on the console.

EG-021402-D15



Operator's Remote - The operator's remote for the 9500 has been updated with G+. It has a DP200 display screen on the left, four modular soft-push pads in the center, and a joystick on the right.

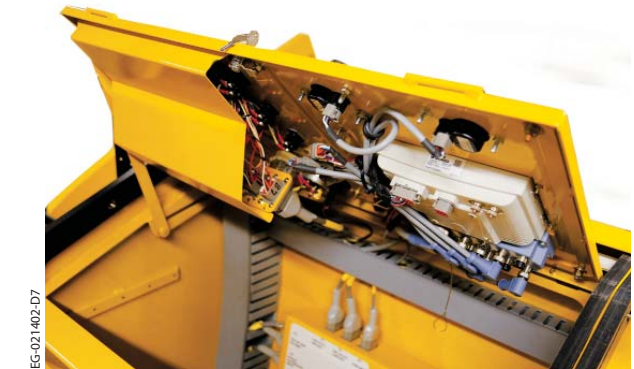
EG-021401-D16

The top two yellow pads are used for conveyor control, and the bottom two yellow pads are for travel and steering. The joystick is used for the up/down and right/left movement of the discharge conveyor. The remote also has an emergency stop button on the right-hand side.



Hydraulics & Electronics - The hydraulics (right) and electronics (left) are kept separate in the new 9500 console. The operator's manual is kept in the box attached to the left door.

EG-021402-D6



Console Interior - A cover to protect the wiring has been installed underneath the console. The console opens up for wide access.

EG-021402-D7

Versatility with Sonar, Front Lifting Arms, and Rolling Grade Ski

- Grade sensing with GOMACO's rolling grade ski is standard for the 9500. The versatile grade ski includes two rubber-tired casters which traces the existing grade or surface. The grade ski uses a standard sensor wand.
- A digital tracking sonar sensing system is an option for the 9500 trimmer. This system is ideal for second pass trimming operations. Grade referencing is achieved as the sonar sensor bounces a sound wave off an existing slab or grade. No stringline setup is needed, and this saves time, which means more profit for the contractor.
- Ease in loading the trimmerhead or receiving hopper onto a trailer for transport or positioning either of these attachments when mounting on the 9500 is achieved with the optional hydraulic front lifting arms at the front of the frame. The front lifting arms can lift the standard trimmerheads to a maximum height of 5.7 feet (1.74 m) and the mining trimmerheads to a maximum height of five feet (1.52 m).



FT-120802-D9

Rolling grade skis are equipped with a sensor wand and traces the existing grade or surface.



EG-098908-4A

Optional hydraulic front lifting arms assist in the ease of loading the trimmerhead or receiving hopper onto the trailer for transport or positioning when mounting.



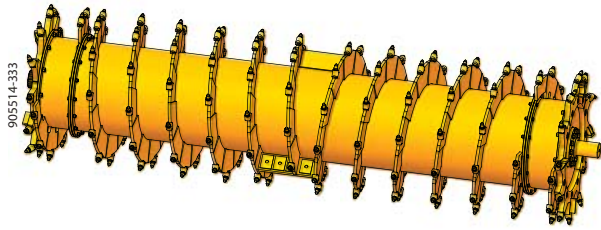
FT-060603-D9

Dual grade control is used for sensing off stringline on both sides of the machine simultaneously.

Extended sensor arms on the 9500 provide trimming accuracy through transitions. The telescoping arms allow sensing on stringlines set up to 40 feet (12.19 m) apart.



FT-041204-D6



High-Performance Mining Trimmerhead for Tough Trimming Applications

The GOMACO 9500 trimmer is available with a high-performance mining trimmerhead. The mining trimmerhead has a 42 inch (1067 mm) diameter and features an auger/tooth wrap. The tooth-tip rotational maximum speed of the mining trimmerhead is 1736 feet per minute (529 mpm). The mining trimmerhead has carbide-tipped asphalt teeth for cement-treated base, soil stabilization, and other tough trimming applications.

Fewer Parts and More Trimming Power Than Ever Before with Single Drive

The 9500 has a single hydrostatic drive motor on the trimmerhead. This hydraulic system design has made the best even better. It requires less maintenance with one drive, instead of two. It has half the circuits, half the connections and half as many hoses with the single drive. It has more trimming power for operation of the standard trimmerhead and the tooth-tip rotational maximum speed is 1323 feet per minute (403 mpm). The single drive allows for simplified and cost effective trimmerhead width changes. You can add inserts without the consideration of two drive sections.

Sidemounted, Sectional Trimmerhead is Designed for Shoulder Work

- The 9500 travels on the existing roadway and the sidemounted trimmer eliminates the problems of restricted side clearance, obstacles along the shoulder, and lack of offset or available track path outside the shoulder.
- Capable of trimming off either side of the machine.
- Hydraulically controlled, sidemounted, sectional trimmerhead designed for shoulder work.
- Up to six feet (1.83 m) sideshifting capabilities.
- Sidemounted, sectional trimmerhead can trim a maximum width of five feet (1.52 m) on the 9500.
- 48 inch (1219 mm) diameter trimming wheel.
- Up to 16 inches (406 mm) cutting depth.
- Sectional trimmerhead allows width changes in 12 inch (305 mm), 18 inch (457 mm), and 24 inch (610 mm) increments.
- Single trimmerhead drive system for the 9500 with trimming widths from 24 inches (610 mm) to 60 inches (1524 mm).
- Pressure-compensated sideplates.
- Existing machine hydraulics run the drive system.
- Cross-conveyor for delivery of trimmed material from trimmerhead to center-mounted transfer conveyor.
- The transfer conveyor can hydraulically shift forward for operation and pull back to allow the trimmerhead to sideshift for transport.
- The rear conveyor is used to place the trimmed material into haul units or into windrows.
- Transport width is 12 feet (3.66 m) with the shoulder trimmer mounted to the 9500.



FF-041102-D10



FF-050201-9A



FF-050201-10A

9500 Trimmer

G+ Connect™ Easily Interfaces with Stringless Technology

GOMACO Corporation has the control system of the future. The new technology allows GOMACO's slipform pavers, trimmers, and placer/spreaders to be controlled by an automated 3D machine guidance or by stringline. All of the major 3D guidance systems easily interface with the revolutionary G+ control system. G+ can accommodate radii or superelevations automatically according to design data. Real-time navigation systems allow the project data created in the CAD system to be directly put into the paving process. The result is improved product quality, operational safety, and work rate. Another advantage is uninterrupted control of the machine over long distances. There is no stringline installation or maintenance. The 3D guidance system teams with GOMACO's G+ to save you time and money.



FF-041405-D4



FF-111401-D1

Efficiency, Safety, and Visibility...

The 9500 operator's station is designed with a remote control handset, in addition to the console, to provide operator efficiency, safety, and visibility of the entire operation. The 35 foot (10.67 m) long by 36 inch (914 mm) wide rear hydrostatic conveyor on the 9500 provides quick and accurate placement of material in the trimming or placing operation. The rear conveyor has a 160 degree hydraulic swing and hydraulic height adjustment up to 16.2 feet (4.94 m), allowing a maximum reach to easily place trimmed material past an adjacent lane, over stringline, or directly into haul units.

Optional Folding Rear Conveyor Belt

The GOMACO 9500 trimmer or placer is available with an optional rear folding conveyor. The option allows the conveyor to remain attached to the 9500 during shipping. The 9500's shipping length, with the folding rear conveyor, is just 35.3 feet (10.76 m) without the hopper or trimmerhead. Shipping height is 12 feet (3.66 m).

During the conveyor frame redesign process, engineers rebuilt the conveyor to be stronger and more rigid with a new, truss-style framework. The switch to control the hydraulic folding operation of the conveyor can be placed at different locations on the back of the machine, which allows ultimate operator visibility and safe operation.



OF-091112-D8



A GOMACO 9500 trims the grade and uses the conveyor to easily place the material into a haul unit for quick removal on an interstate project.

9500 Placer

9500 Designed For High-Volume Placing Operations

Placement of concrete is fast and accurate with the placing conveyor length of 35 feet (10.67 m). The belt width is 36 inches (914 mm).

The rear conveyor has a 160 degree swing and a hydraulic height adjustment up to 16.2 feet (4.94 m). The hydraulically-controlled rear conveyor belt is used for placing concrete or loading trimmed material.

The 9500 is designed for a wide variety of job applications, including those requiring concrete placement over steel reinforcement and high-volume end-dump operations.



Quick-Hitch for Placing

A quick-hitch locks the dump truck to the 9500 placer and with the truck in neutral, the 9500 will easily push the truck while it is discharging the concrete into the receiving hopper. The receiving hopper, with a capacity of 1.47 cubic yards (1.12 m³), is equipped with a split-flighting 12 inch (305 mm) diameter auger that carries concrete from both sides to the center and onto the transfer conveyor.

The quick-hitch locks the dump truck to the 9500, allowing the 9500 to push it as the hopper is being loaded.



A 9500 receives concrete from the dump truck into the hopper. The long placing conveyor easily places the concrete over continuous steel reinforcing for a new highway system.



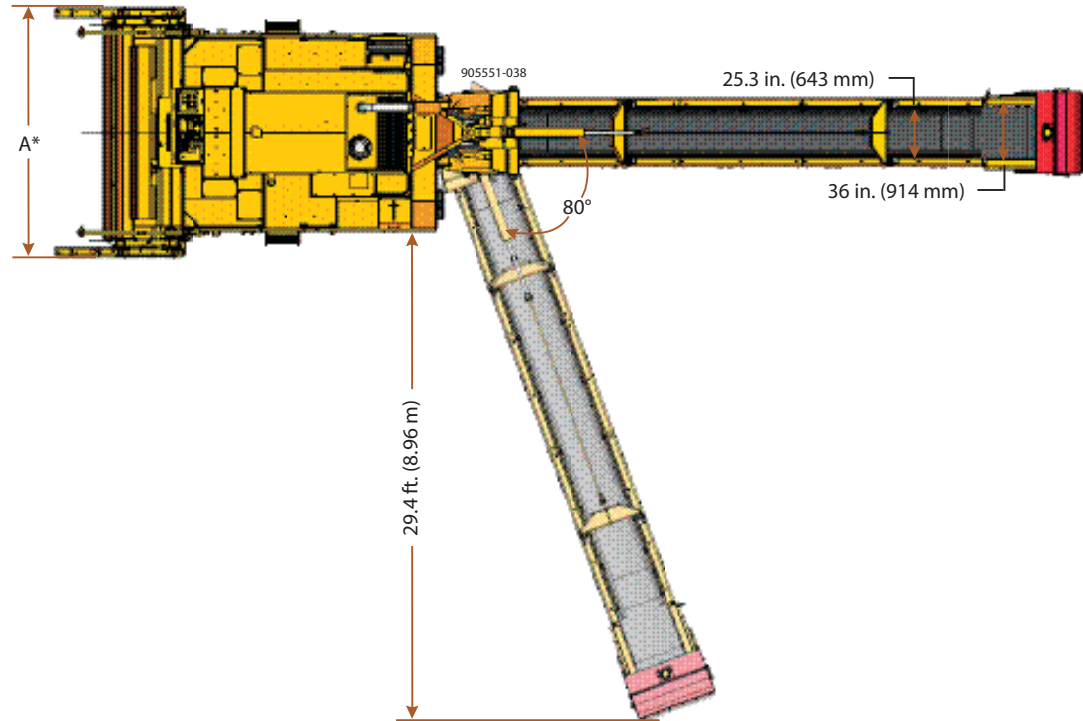
Placement of concrete with the 9500 is fast and accurate with the 35 foot (10.67 m) long conveyor.

Highest Quality and Versatility in the Paving Industry

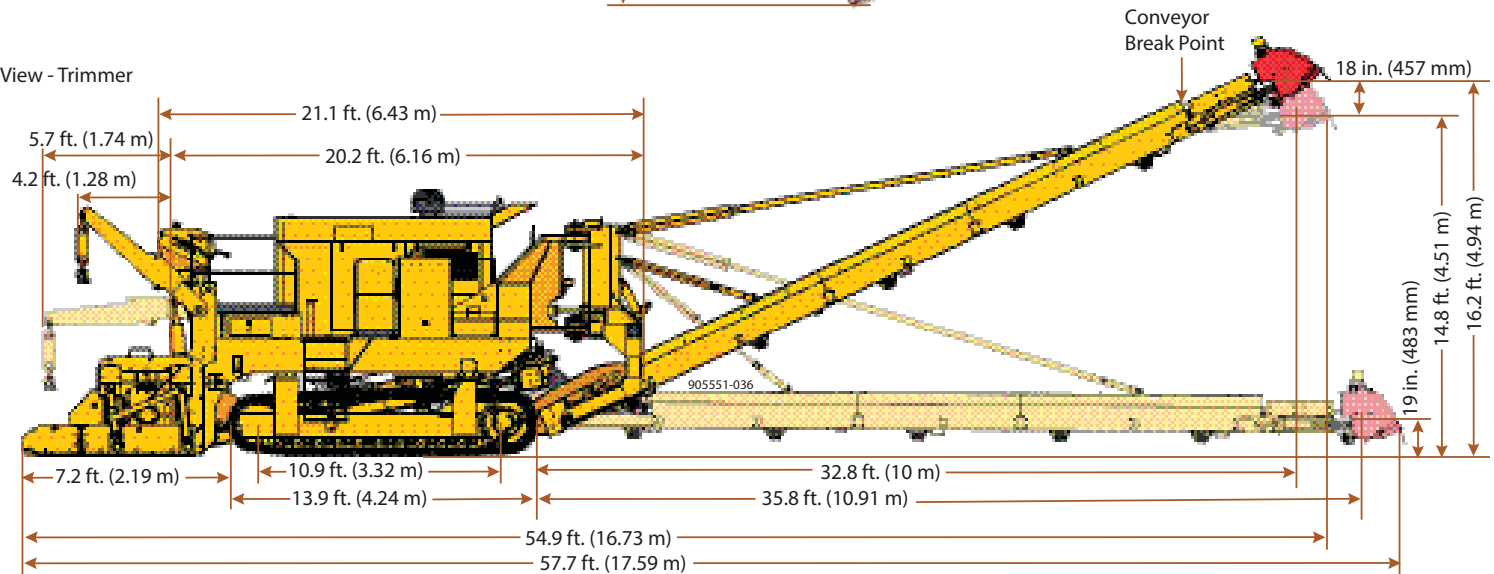
GOMACO has the highest standard of quality in the industry with skilled personnel producing state-of-the-art machines. GOMACO's engineering, research and development, and manufacturing teams are known for quality control to provide superior performance. The 9500 was designed for maximum versatility as both a high-production trimmer or a quick and accurate concrete placer. GOMACO quality is proven performance and dedication to customer satisfaction for over 50 years.

*All dimensions are nominal.

CUTTING WIDTH	OVERALL WIDTH
12.7 ft. (3.87 m)	*Dimension A 14.7 ft. (4.48 m)
14.7 ft. (4.48 m)	16.7 ft. (5.09 m)
16.7 ft. (5.09 m)	18.7 ft. (5.7 m)
18.7 ft. (5.7 m)	20.7 ft. (6.31 m)

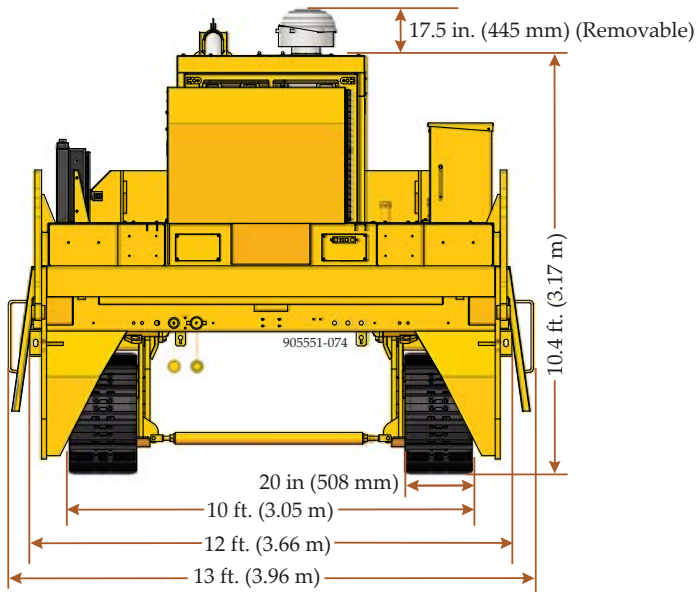


Side View - Trimmer

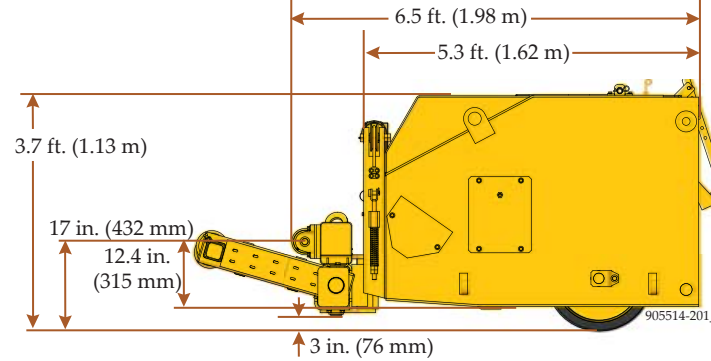


Breaking Conveyor

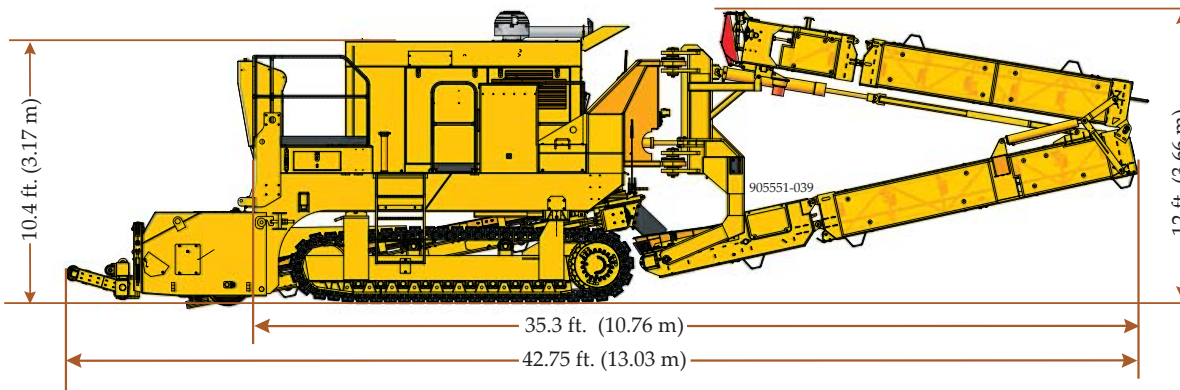
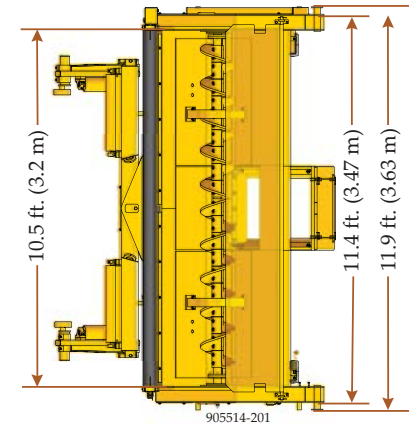
GOMACO features a breaking conveyor which allows the discharge end of the conveyor to fold 18 inches (457 mm). This feature allows the placement of concrete closer to the grade and direct placing accuracy in front of the paver when reaching over stringline and other obstacles and also provides ease in conveying trimmed material into trucks.



Side View - Placer Hopper

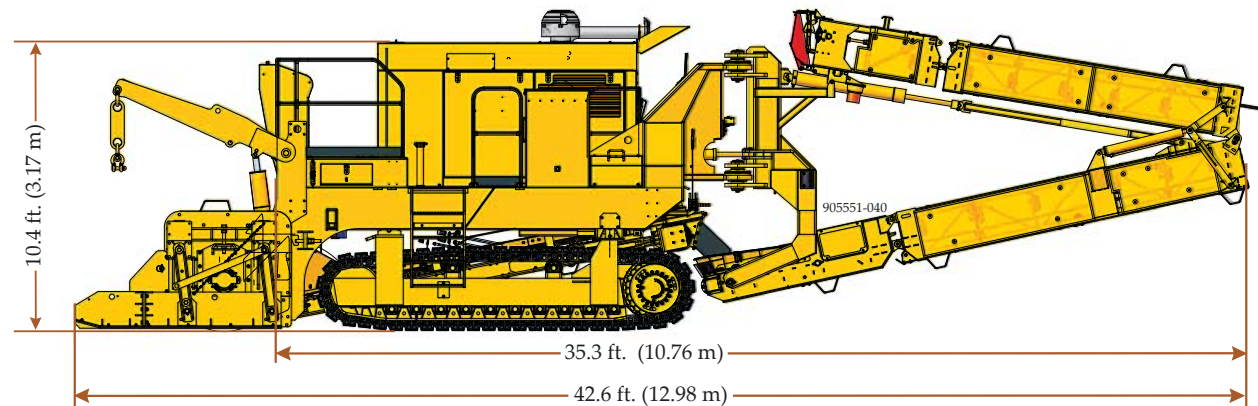


Top View - Placer Hopper



Side Transport View - Placer with Optional Folding Conveyor

Side Transport View - Trimmer with Optional Folding Conveyor



9500 TRIMMER/PLACER SPECIFICATIONS

ENGINE (emission-controlled)

Type: Turbocharged CAT C11 diesel (air-to-air after-cooled, four stroke).

Power: 385 hp (287.2 kW) @ 1850 rpm.

SERVICE CAPACITIES

Fuel reservoir: 199.5 gal. (755.2 L).

Hydraulic oil reservoir: 221.5 gal. (838.47 L).

AUTOMATIC CONTROL SYSTEM

Type: Electronic-over-hydraulic.

G+ Control System: Self-diagnostics for grade and steering controls for trimming accuracy and ease of operation. Includes a graphic display controller with multi-language capability.

Remote control: Remote control handset included for operator convenience.

Dual grade control: Dual grade control for sensing stringline on both sides of machine simultaneously.

Trimmer control: Controls direction and speed for trimming accuracy and safety.

Transfer and rear conveyor control: Controls direction and speed for placement of material.

Optional Slope transition system: Software for slope transition is available and features automatic correction for grade elevation, automatic correction for steering, and eliminates the need for stringline adjustment.

Lighting: Light system for night operation.

TRACK SYSTEM

Type: Two hydrostatic powered, enclosed, planetary gear-driven crawler tracks.

Track length: 13.7 ft. (4.18 m). Length from center-to-center of sprockets, 10.9 ft. (3.32 m).

Track pad width: 19.7 in. (500 mm).

Track speed: Variable up to 130.3 fpm (39.7 mpm).

Ground pressure: 18.4 psi (based on 70,040 lb. (31,770 kg) machine including a 16.7 ft. (5.09 m) trimmerhead).

GRADE SKI

Rolling grade ski for matching previously trimmed grade.

TRIMMERHEADS (for trimmer only)

Widths: 12.7 ft. (3.87 m); 14.7 ft. (4.48 m); 16.7 ft. (5.09 m); and 18.7 ft. (5.7 m).

Sectional trimmer shroud: Standard.

Trimmer wheel diameter: 32 in. (813 mm) on standard trimmerheads and 42 in. (1067 mm) on optional mining trimmerheads. All trimmerheads include material loading deflectors, replaceable carbide-tip cutter teeth.

Number of teeth on standard trimmerheads: 12.7 ft. - 107 teeth; 14.7 ft. - 119 teeth; 16.7 ft. - 131 teeth; 18.7 ft. - 143 teeth.

Number of teeth on mining trimmerheads: 12.7 ft. - 164 teeth; 14.7 ft. - 186 teeth; 16.7 ft. - 210 teeth; 18.7 ft. - 232 teeth.

RECEIVING HOPPER (for placer only)

Overall width: 11.9 ft. (3.63 m).

Receiving width: 10.5 ft. (3.2 m).

Capacity: 1.47 cu. yd. (1.12 m³).

Truck latching system: Quick hitch.

Auger diameter: 12 in. (305 mm).

RECLAIMING SYSTEM

Front Transfer Conveyor

Length with trimmer: 14 ft. (4.27 m).

Length with placer: 17 ft. (5.18 m).

Width: 36 in. (914 mm).

Type: Hydrostatic.

Belt speed: 512 fpm (156 mpm).

Rear Conveyor

Length: 35 ft. (10.67 m).

Width: 36 in. (914 mm).

Type: Hydrostatic.

Belt speed: 512 fpm (156 mpm).

Hydraulic swing: 160 degrees.

Hydraulic elevation: 16.2 ft. (4.94 m).

Conveyor lift winches: Two 1500 lb. (680 kg) removable conveyor lift winches mounted at the rear of the machine frame.

FRONT LIFTING ARMS (optional)

Hydraulic front lifting arms located at the front of the 9500. Maximum lift of 5.7 ft. (1.74 m) for the standard trimmerheads; or 5 ft. (1.52 m) maximum lift for the mining trimmerheads.

DIMENSIONS

Shipping

Width: 12 ft. (3.66 m).

Height: 10.4 ft. (3.17 m), without exhaust pipe and air cleaner.

Length: 21.1 ft. (6.43 m).

Operational

Width: Variable, 14.7 ft. (4.48 m), 16.7 ft. (5.09 m), 18.7 ft. (5.7 m) and 20.7 ft. (6.31 m) depending on size of trimmerhead.

Height: 13.3 ft. (4.05 m).

Length: 57.7 ft. (17.59 m) with rear conveyor in lowered position.

WEIGHTS

Prime mover with transfer conveyor:

50,000 lbs. (22,680 kg).

Rear conveyor assembly: 4628 lbs. (2099 kg).

Standard trimmerheads:

12.7 ft. (3.87 m), 9470 lbs. (4296 kg).

14.7 ft. (4.48 m), 11,007 lbs. (4993 kg).

16.7 ft. (5.09 m), 11,877 lbs. (5387 kg).

18.7 ft. (5.7 m), 13,414 lbs. (6085 kg).

Receiving hopper: 6900 lbs. (3130 kg).

OPTIONS

Additional trimmerheads and conversion kits.

Extended sensor arm assembly for reaching stringlines 40 ft. (12.19 m) apart.

High-pressure water system includes trigger gun control and adjustable pressure loader for up to 2000 psi.

Pressure-compensated sideplates for variable trimming depths.

Transfer conveyor conversion to convert transfer conveyor from placer to trimmer system.

Concrete placer includes receiving hopper, transfer conveyor, or 3 ft. (.91 m) transfer conveyor extension.

Sonar sensing system eliminates stringline setup.

Hydraulic front lifting arms.

Placing hopper with heat-resistant belts for asphalt.

3D package for stringless control.

Folding rear conveyor.

Other options available to customize machine to accommodate applications and customer needs.



Two 9500 placers supply the concrete for the GOMACO paver on an airport runway.



A GOMACO 9500 places the concrete for the canal paver.

HW-080908-D4

SL-011304-D16



FT-040702-D20

A 9500 trimmer is equipped with Topcon 3D guidance to trim the grade for a new highway system.



FT-061401-D04

A 9500 trimmer equipped with Trimble 3D guidance creates a smooth grade in preparation for the concrete road.



FT-081302-D02

GOMACO's 9500 trimmer equipped with Leica Geosystems 3D guidance allows for the much needed minimal clearance while preparing the grade for a service road.

Cover photo: FT-081401-D08

Manufactured under one or more of the following U.S. or foreign patents: 6,450,048; 7,044,680; 7,284,472; 7,517,171; 7,845,878; 7,850,395; CA2,864,902; CA2,591,177; 8,855,967; 8,682,622; 9,051,696; 9,180,909; 9,200,414; 9,404,228; 9,428,869; 9,458,581; 9,464,716; 9,541,195; 9,567,715; 9,624,626; 9,637,872; 9,644,328; 9,633,162; 9,670,627; 9,739,019; 9,764,762; 9,869,063; 9,982,399; 9,963,836; 10,005,489; 10,206,016; AU2018100400; AU2019100743; and patents pending.

GOMACO, G+, and POS-A-TROL are registered trademarks of GOMACO Corporation.

GOMACO Corporation reserves the right to make improvements in design, material, and/or changes in specifications at any time without notice and without incurring any obligation related to such changes. Performance data is based on averages and may vary from machine to machine.

Printed in U.S.A. © 2021 (01Anderson)
GOMACO Corporation Order #0410-0A10296

Worldwide Headquarters
GOMACO Corporation
PO Box 151
Ida Grove, IA USA 51445
Ph: 1-712-364-3347
www.gomaco.com
E-mail: info@gomaco.com

European Headquarters
GOMACO International Ltd.
Units 14 & 15
Avenue One, Station Lane
Witney, Oxon, OX28 4XZ, United Kingdom
Ph: 44-1993-705100
E-mail: pavinguk@gomaco.com

You can always find us at: <http://www.gomaco.com/9500>

-- DESIGNED FOR SAFETY --

The 9500 Trimmer/Placer is carefully designed to give years of dependable and safe service. The emergency stop buttons are on the operator's console and on corners of the machine, which are easily accessible from the ground level and from the new operator's remote. Another safety feature is a backup alarm, which is designed to alert personnel around the machine when the tracks are set to operate in reverse. Other safety features include track guards, warning decals, operator horn, rear conveyor alarm, an operator's manual, and a safety manual. GOMACO machines are also designed to provide the operator with excellent visibility over the entire paving operation.



The Worldwide Leader in Concrete Paving Technology



GOMACO Corporation's Quality Management System Is ISO 9001 Certified By The American Systems Registrar.

Quality Policy: We Shall Meet Or Exceed Our Customers' Expectations.

