

COMMANDER II **TRIMMER / SLIPFORM PAYER**



GOMACO®

The Worldwide Leader in Concrete Paving Technology

GOMACO's Commander II

- GOMACO's Commander II is back, and better than ever! It features the simplicity of a two-track paver with GOMACO's exclusive and operator-friendly G+® control system.
- GOMACO's Commander II is now equipped with G+ controls for independent track drive and steering.
- The Commander II features a six foot (1.83 m) long conveyor that feeds the mold. The conveyor has a belt speed of 350 feet per minute (106.7 mpm) to load the hopper quickly and efficiently.
- The GOMACO Commander II has a maximum paving speed of 54 feet per minute (16.46 mpm), and a travel speed of up to 82 feet per minute (25 mpm) to quickly traverse any job site.
- GOMACO's Commander II features an isolated operator's platform for comfort during paving.
- The Commander II's pivoting operator's console is about visibility and hands-on control. Operators can position the console for the best visibility during different applications.
- GOMACO's Commander II is equipped with a 60 inch (1524 mm) wide sectional direct-drive trimmerhead for exacting grade preparation.
- GOMACO Remote Diagnostics (GRD) will transmit G+ settings, machine configuration, engine performance, and fault history for an immediate and complete diagnosis. It also allows software updates, fleet management, service indicators, and so much more.
- The Commander II will slipform a variety of applications and is designed to simultaneously trim and pour. It can easily convert from project to project with applications such as curb and gutter, safety barrier, irrigation canal, recreational path, shoulders and more.



CG-011802-D3

Concrete is fed into the hopper by a 20 inch (508 mm) wide, six foot (1.83 m) long conveyor belt. The Commander II features a belt speed of 350 feet per minute (106.68 mpm) to quickly move the concrete into the hopper.



CG-011802-D2

The GOMACO Commander II is able to slipform curb and gutter utilizing the smooth travel speeds of the G+ control software.



CG-011805-D2

Operator comfort and visibility has been designed into the new Commander II. The operator's platform is isolated to eliminate vibration for operator comfort during paving.

G+® Controls – Designed For Concrete Paving

***It is now the technology that pulls everything together...
G+ is the center that Connects all of the resources.***

Once you experience G+ controls, you won't be satisfied with anything else. It's a control system that is both easy to learn and easy to operate. G+ expresses itself in easy to understand international icons and full script explanations. It operates in all the major languages of the world and in imperial or the metric system. It has a lightning-fast processing speed and features two-way communications between the accessories and G+. Its instant digital feedback combined with the tight closed-loop electronic and hydraulic control creates a G+ experience that is smooth, efficient, and accurate. There is nothing on the market that can compare, because G+ is a proprietary system that was designed by our in-house control experts incorporating what we have learned from decades of experience in the field, and from what we have learned from you, our customer.

- Machine operation is simple.
- Machine response is fast.
- Troubleshooting is pinpointed, quick, and easy.
- Fault history available.
- Control from stringline, 2D, or 3D guidance.



EG-121705-D18

A flat-panel 6.5 inch (165 mm) anti-glare display screen is provided with sensor-controlled backlight levels for superior visibility in all operating conditions. The screen is rugged and shock resistant in its construction to protect against dust, moisture, and rain. G+ provides a full color display on the control panel to illustrate the current functions of the paver for set up and operation. A "run" screen on the control panel illustrates the various aspects of the paver. It includes paving speed and percentage of drive, steering, travel information, grade information, deviation meters, and more. Newly designed icons and color graphics make it easy to understand and easy to identify the targeted functions. G+ receives a track speed reading from pulse pickups in the track motors to give you real time feet (meters) per minute and total linear footage (meters). G+ controls feature a detailed fault history with the time stamp, date, and information to track when each fault occurred. GOMACO's G+ control system has been proven around the world.



EG-121708-D17

The Commander II's pivoting operator's console is about visibility and hands-on control. The operator can position the console for the best visibility during different applications by pivoting it to the left or having it forward facing. The operator's seat can be flipped out or stored up against the left side when not in use.



EG-121708-D11

The six foot (1.83 m) long conveyor on the Commander II can be pivoted for side adjustments with the help of a hydraulic boom. The boom's lever control is next to the operator's console.



EG-121708-D15

The Commander II is equipped with a 60 inch (1524 mm) wide sectional direct-drive trimmerhead for exacting grade preparation.



EG-121705-D10

The Commander II operates with two different track lengths to accommodate the paver. The right track is six feet (1.83 m) long.



CG-01804-D6

GOMACO Remote Diagnostics (GRD) allows GOMACO personnel or your own personnel to remotely connect to the GOMACO machine via the computer or phone for troubleshooting, diagnostics review, or software updates.



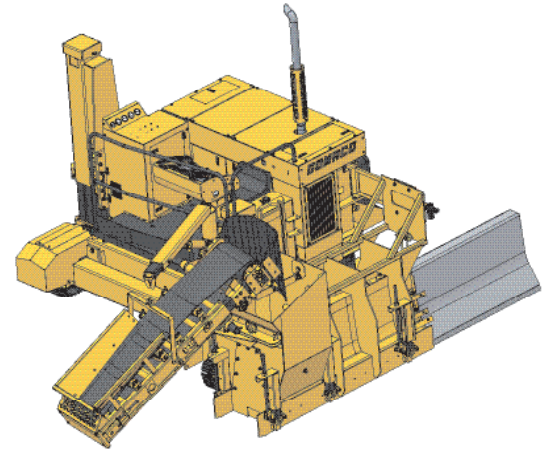
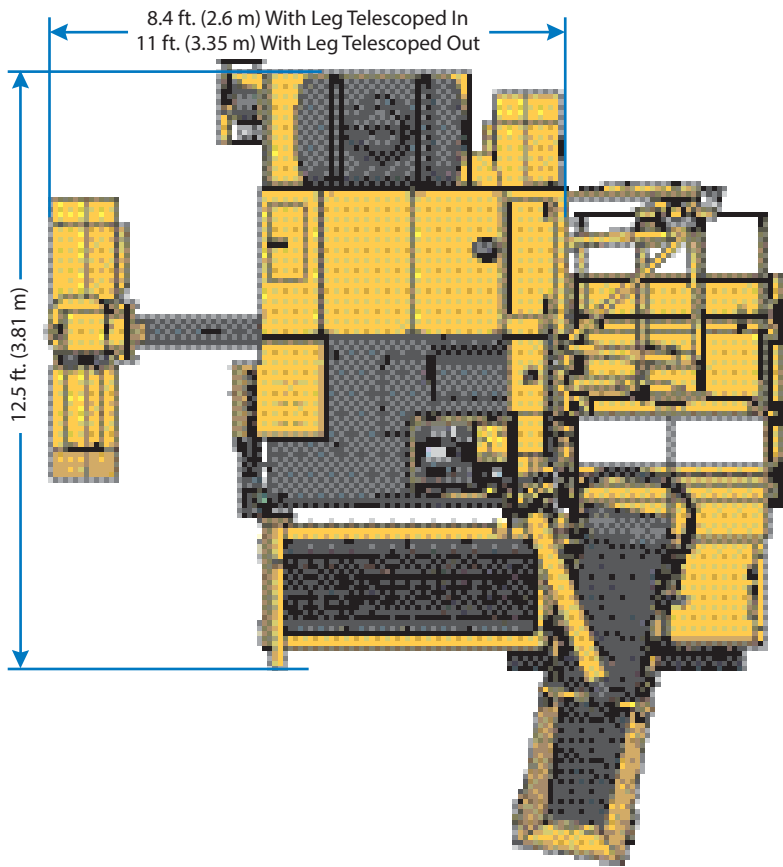
EG-121705-D11

The water tank is positioned on the back of the Commander II for quick access when needed.

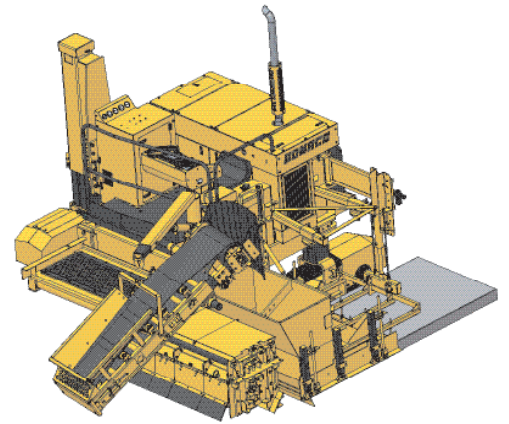


EG-121705-D15

The longer, left side track is 8.4 feet (2.6 m) long. The track is hinged to allow the machine to make fewer adjustments if an obstacle is in the track's path.



Commander II can slipform safety barrier.

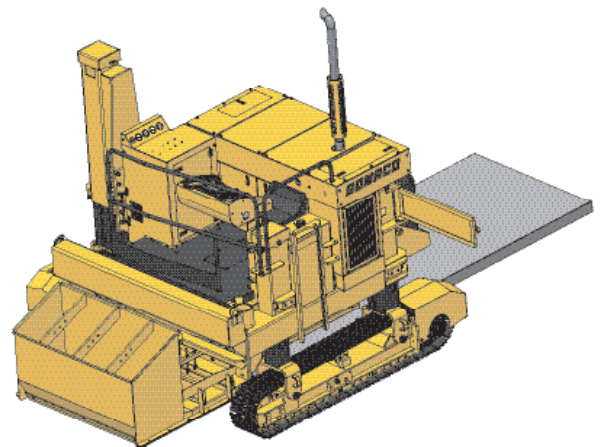


Commander II can be equipped for offset sidewalk slipform paving.



EG-121707-D16

Commander II's right track has a hydraulic height adjustment of 30 inches (762 mm) and a manual height adjustment of 16 inches (406 mm). The left track has a hydraulic height adjustment of 20 inches (508 mm).



Commander II can be equipped with an undermounted sidewalk slipform paving mold.

Commander II Specifications

ENGINE

Consult for options available.

SERVICE CAPACITIES

Fuel reservoir: 40 gal. (151.4 L), locking cap.

Hydraulic oil reservoir: 85 gal. (321.7 L).

AUTOMATIC CONTROL SYSTEM

Type: Electronic-over-hydraulic.

Controls: GOMACO's exclusive G+ control system features self-diagnostics for grade and steering. It features multi-language, metric or imperial settings, and a 6.5 in. (165 mm) anti-glare display screen.

Control indicators: Color graphical performance indicators allow operator to monitor control signals for machine guidance on stringline or 3D.

WATER SYSTEM

Type: Hydraulic motor driving centrifugal pump.

Capacity: 100 gal. (378.5 L).

Water pressure: 60 psi.

SLIPFORM MOLD

Curb and gutter mold: One curb and gutter mold. Optional molds available for curb and gutter, barrier, parapet and sidewalk.

VIBRATORS

Type: Hydraulically powered, motor-in-head, variable speed, independently controlled.

Quantity: Four hydraulic circuits and two hydraulic vibrators with mounts included with each machine.

SUBGRADE TRIMMER

Direct-drive trimmerhead: Trimmerhead is driven with a radial piston hydraulic motor for high performance. 24 in. (610 mm) diameter trimming wheel.

Width: 60 in. (1524 mm) sectionalized trimmerhead.

Sideshift distance: Up to a maximum of 48 in. (1219 mm) sideshift.

CHARGING CONVEYOR

Type: Hydraulically powered, reversible with charging hopper.

Length: 6 ft. (1.83 m) between pulley centers.

Width: 20 in. (508 mm).

Belt speed: Variable up to 350 fpm (106.68 mpm).

Conveyor mount: Pivot mounting for side adjustments. Hydraulic powered height adjustment.

Boom: Hydraulically powered, for loading and unloading mold for quick transport.

Belt wiper: Features special blades on adjustable spring steel rods for superior cleaning results. The unique, no-maintenance troughing rollers are greaseless and self-cleaning.

TRACK SYSTEM

Type: Two hydraulically powered gear-driven crawler tracks.

Overall track length: Left track (hinged), 8.4 ft. (2.6 m); right track, 6 ft. (1.83 m).

Track pad width: 11.8 in. (300 mm).

Track speed: Variable up to 54 fpm (16.46 mpm) paving; variable up to 82 fpm (25 mpm) auxiliary.

Track height adjustment: 20 in. (508 mm) hydraulic adjustment on left track, 30 in. (762 mm) hydraulic adjustment on right track with 16 in. (406 mm) manual adjustment on right track.

Telescoping leg for positioning right track: Hydraulically controlled allowing 30 in. (762 mm) of lateral track movement.

DIMENSIONS

Overall length: 12.5 ft. (3.81 m).

Overall height: 7.4 ft. (2.26 m) minimum with leg retracted. 9.9 ft. (3.02 m) maximum with the leg extended.

Overall width: 8.4 ft. (2.6 m) with the leg telescoped in. 11 ft. (3.35 m) with the leg telescoped out.

WEIGHTS (Approximate)

20,000 lbs. (9,072 kg). Weight can vary depending on size of mold and options.

Note: Transport and operational weights and dimensions are variable, depending on machine options.

OPTIONS

Additional vibrator and mount.

High-pressure water system.

2 ft. (.61 m) concrete charging conveyor extension.

Barrier side mount kit, includes barrier drawbar mount and 2 ft. (.61 m) conveyor extension.

Standard drawbar extension for 5 ft. (1.52 m) wide sidewalk.

Offset drawbar extension for sidewalk scab-on work.

Hold over assembly, hydraulically powered, required when paving adjacent to existing concrete.

Hydraulic lower/lift of trimmerhead for trimming below track line.

Form steering system.

Slipform molds, consult factory.

Other options are available to customize machine to accommodate applications and customer needs.



EG-121709-D1

GOMACO's Commander II is equipped with a 60 inch (1524 mm) trimmerhead with sideshifting capabilities up to 48 inches (1219 mm).



EG-121708-D18

The right telescoping leg has a hydraulic side adjustment of up to 30 inches (762 mm).



EG-121707-D11

The Commander II has a minimum height of 7.4 feet (2.26 m) with the leg retracted, and a maximum height of 9.9 feet (3.02 m) with the leg extended.

-- DESIGNED FOR SAFETY --

The Commander II is carefully designed to give years of dependable and safe service. The emergency stop buttons are on the operator's console and on the corners of the machine, which are easily accessible from the ground level. The machine is equipped with a backup alarm, which is designed to alert personnel around the machine when the tracks are set to operate in reverse. Other safety features include track guards, warning decals, operator horn, an operator's manual, and a safety manual. GOMACO machines are also designed to provide the operator with excellent visibility over the entire paving operation.

Cover Photo: CG-011802-D5

Manufactured under one or more of the following U.S. or foreign patents: 5,924,817; 5,941,659; 6,099,204; 6,450,048; 7,044,680; 7,284,472; 7,517,171; 7,845,878; 7,850,395; CA2,864,902; CA2,591,177; 8,855,967; 8,682,622; 9,051,696; 9,180,909; 9,200,414; 9,404,228; 9,428,869; 9,458,581; 9,464,716; 9,541,195; 9,624,626; 9,644,328; 9,633,162; 9,670,627; 9,739,019; 9,764,762; 9,869,063, and patents pending.

GOMACO and G+ are registered trademarks of GOMACO Corporation.

GOMACO Corporation reserves the right to make improvements in design, material, and/or changes in specifications at any time without notice and without incurring any obligation related to such changes. Performance data is based on averages and may vary from machine to machine.

Printed in U.S.A. © 2018 (1 GC)
GOMACO Corporation Order #0400-0A10105

Worldwide Headquarters

GOMACO Corporation
PO Box 151
Ida Grove, IA USA 51445
Ph: 1-712-364-3347
www.gomaco.com
E-mail: info@gomaco.com

European Headquarters

GOMACO International Ltd.
Units 14 & 15
Avenue One, Station Lane
Witney, Oxon, OX28 4XZ, United Kingdom
Ph: 44-1993-705100
E-mail: pavinguk@gomaco.com



The Worldwide Leader in Concrete Paving Technology



GOMACO Corporation's Quality Management System is ISO 9001 Certified By The American Systems Registrar.

Quality Policy: We Shall Meet Or Exceed Our Customers' Expectations.

