



**SCREEDSAVER
BOSS 240**

Flat Slab Setup Instructions

(See Owner's Manual for Slope/Dual Slope)

Step 1:



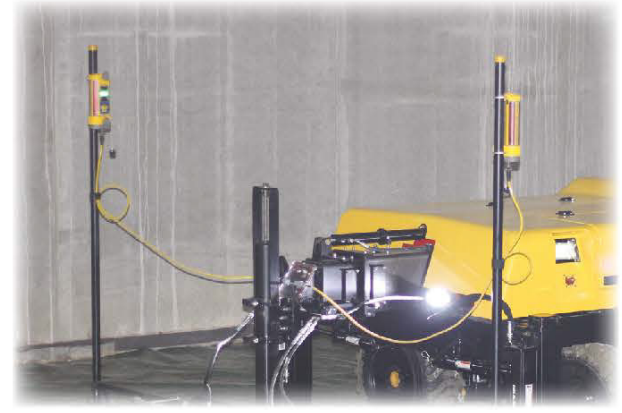
Setup laser transmitter in appropriate jobsite location (free from interference).

Step 2:



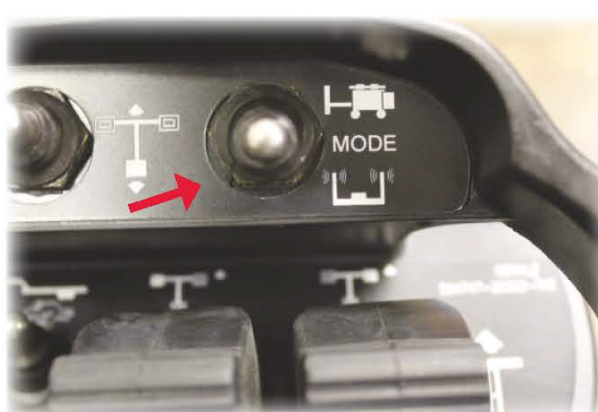
Set the grade rod to the finished concrete slab grade height.

Step 3:



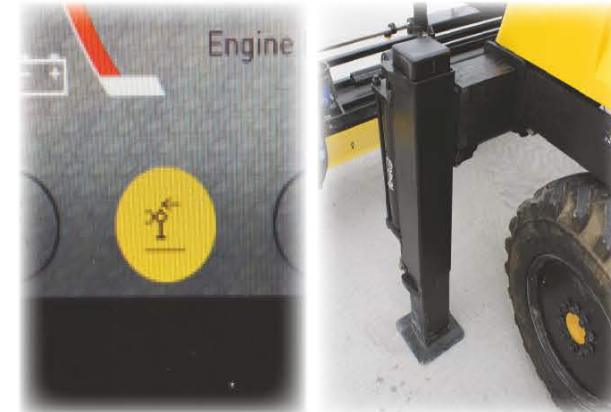
Attach laser poles, laser eye receivers, and cables to the screed head.

Step 4:



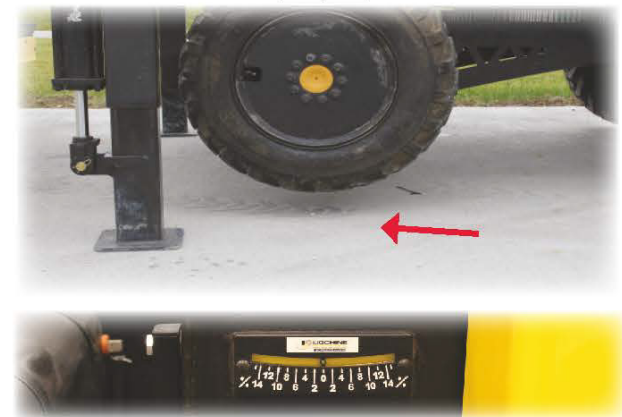
Drive to the 1st screed pass location. Switch from  "DRIVE" mode to  "SCREED" mode.

Step 5:



Activate the 'Outrigger' function on the display. Using the remote, extend both front outriggers halfway to allow for maximum side shift capability. Then turn off the 'Outrigger' function on the display.

Step 6:



Retract the undercarriage tight to the frame. Adjust all 3 downriggers until machine is relatively level or parallel to subgrade (using slope meter) and there is approximately 3 inches (7.6cm) between the tires and subgrade.

Step 7:



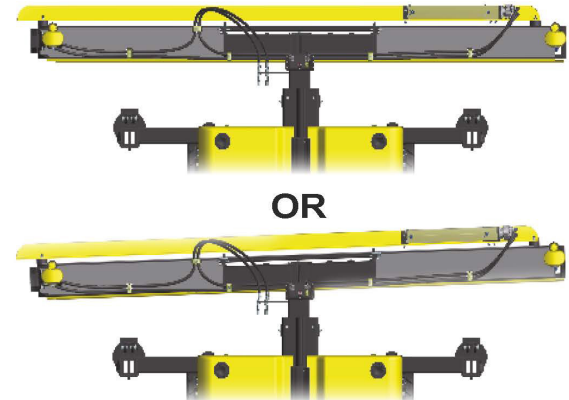
Loosen the 2 pinch bolts that secure the pivoting center post.

Step 8:



Hold the bottom of the grade rod level with the bottom the finish blade. Raise or lower the pivoting center post for proper concrete slab grade height.

Step 9:



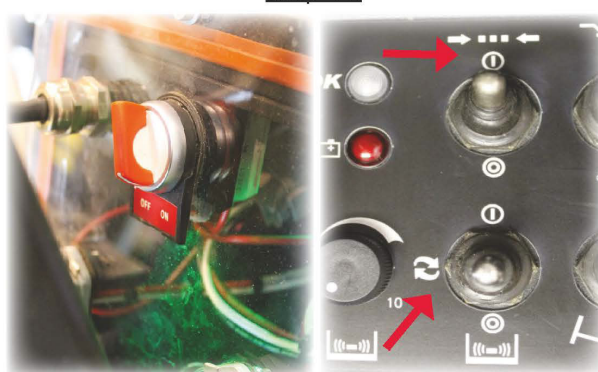
Pivot the head so it is perpendicular to the machine OR slightly open on the right side. Retighten the 2 pinch bolts to secure.



Step 10:



Hold the bottom of the grade rod level with the bottom of the finish blade on the right and left sides of the screed head. Adjust the front downriggers with the remote until finish blade matches finished slab grade height.

Step 11:



Turn the red Auto Level switch on the boom cover plate to the "ON" (I) position. On remote, set Vibrate switch to the  "AUTO" (middle) position then set Auto Level switch to the  "ON" position.

Step 12:



Adjust the laser eyes up/down until a green light is displayed and lock them in place. **Begin screeding.** Check your first 3 passes with the grade rod to verify proper setup. Make adjustments by moving the laser eyes as necessary.